

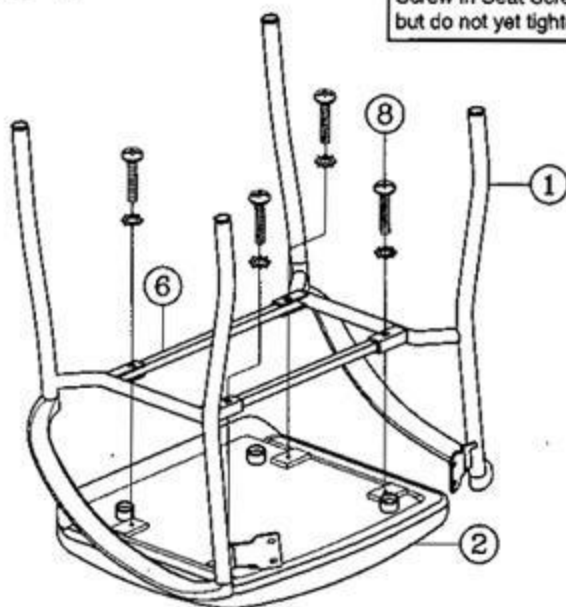
Remove all items from the carton . Verify all pieces before assembly.

PART LIST

KEY	QTY	DESCRIPTION	KEY	QTY	DESCRIPTION
1	2	Sled Base	5	1	Back Plastic Cover
2	1	Seat Cushion	6	2	Steel Bar
3	1	Seat Plastic Cover	7	4	Backrest Screw (Short)
4	1	Back Cushion	8	4	Seat Screw (Longer) + Washer

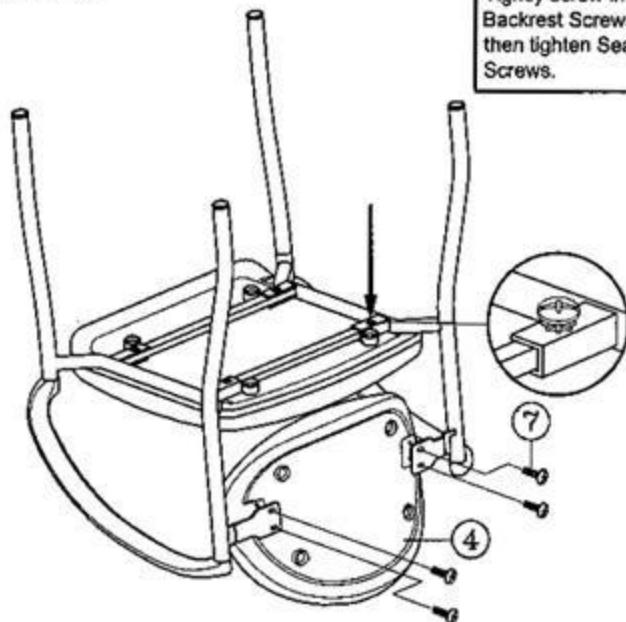
STEP 1.

Screw in Seat Screws, but do not yet tighten.



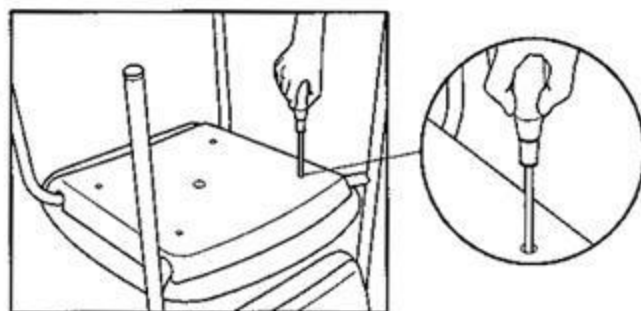
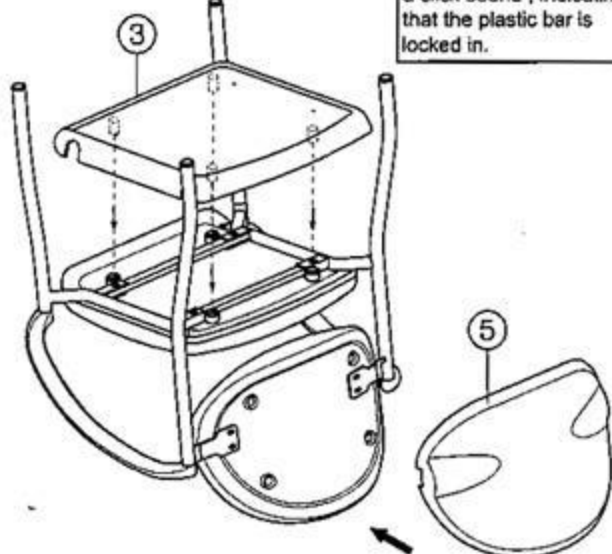
STEP 2.

Tightly screw in Backrest Screws, then tighten Seat Screws.



STEP 3.

Push hard until you hear a click sound, indicating that the plastic bar is locked in.



PREVENTIVE MAINTENANCE AND WARNING !

- From time to time , check to make sure screws are securely tightened.
- ◊ Holes on PP shell are for convenient checking.

PREVENTIVE MAINTENANCE AND WARNING!

- USE THIS PRODUCT ONLY FOR SEATING ONE PERSON AT A TIME.
- DO NOT USE THIS CHAIR AS A STEP STOOL / LADDER.
- DO NOT SIT ON ANY PART OF THE CHAIR EXCEPT THE SEAT.
- DO NOT USE CHAIR ON UNEVEN FLOOR SURFACES.
- DO NOT USE CHAIR UNLESS ALL BOLTS , SCREWS AND KNOBS ARE TIGHT . AT LEAST EVERY SIX MONTHS , CHECK ALL BOLTS , SCREWS AND KNOBS TO BE SURE THEY ARE TIGHT.
- IF ANY PARTS ARE MISSING , BROKEN , DAMAGED OR WORN , STOP USE OF THE PRODUCT UNTIL REPAIRS ARE MADE USING FACTORY AUTHORIZED PARTS.
- DISPOSE OF PACKAGING PROPERLY . PLASTIC BAG IS NOT A TOY . DO NOT USE PLASTIC BAG AS HEAD COVERING - IT MAY CAUSE SUFFOCATION.
- FAILURE TO FOLLOW THESE WARNINGS COULD RESULT IN SERIOUS INJURY.

