

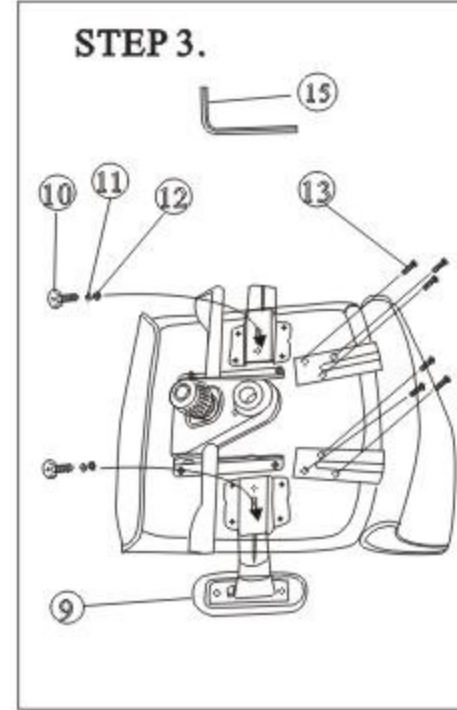
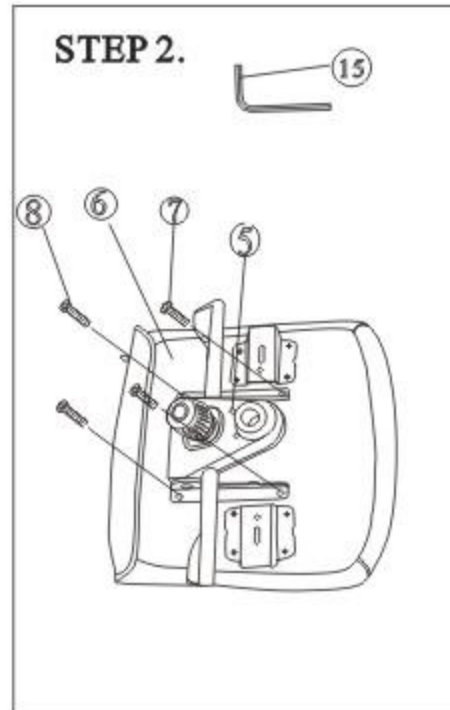
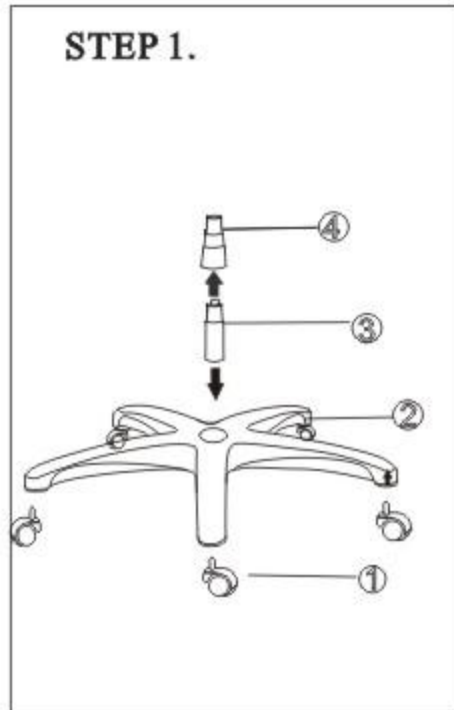
LE9380 / LE8300

ASSEMBLY INSTRUCTION

REMOVE ALL ITEMS FROM THE CARTON . VERIFY ALL PIECES BEFORE ASSEMBLY.

PARTS LIST

KEY	QTY	DESCRIPTION	KEY	QTY	DESCRIPTION	KEY	QTY	DESCRIPTION
1	5	CASTER	6	1	SEAT CUSHION	11	2	FLAT WASHER
2	1	BASE	7	3	SCREWS 1/4" X 3/4"	12	2	LOCK WASHER
3	1	SEAT POST	8	2	SCREWS 1/4" X 1"	13	7	SCREWS 1/4" X 1"
4	1	SEAT POST COVER	9	1 SET	RIGHT AND LEFT ARM	14	1	BACK CUSHION
5	1	SEAT PLATE	10	2	ARM KNOB	15	1	ALLEN WRENCH



PREVENTIVE MAINTENANCE AND WARNING

- USE THIS PRODUCT ONLY FOR SEATING ONE PERSON AT A TIME.
- DO NOT USE CHAIR AS STEP STOOL/LADDER.
- DO NOT USE CHAIR UNLESS ALL BOLTS, SCREWS ARE TIGHT. AT LEAST EVERY SIX MONTHS, CHECK ALL BOLTS, SCREWS TO BE SURE THEY ARE TIGHT.
- IF ANY PARTS ARE MISSING, BROKEN, DAMAGED OR WORN, STOP USE OF THE PRODUCT UNTIL REPAIRS ARE MADE USING FACTORY AUTHORIZED PARTS.
- FAILURE TO FOLLOW THESE WARNINGS CAN RESULT IN SERIOUS INJURY.