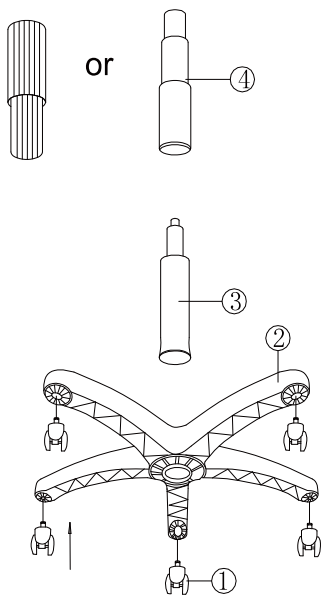


Remove all items from the carton. Verify all pieces before assembly

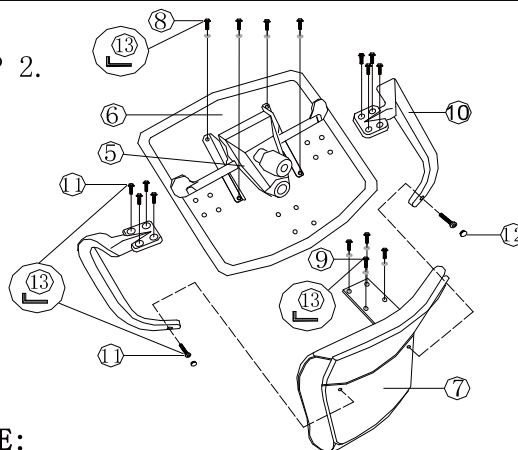
PARTS LIST

KEY	QTY	DESCRIPTION	KEY	QTY	DESCRIPTION	KEY	QTY	DESCRIPTION
1	5	Caster	7	1	Backrest	11	10	Armrest Screws (1/4"*1-1/4")
2	1	Base	8	4	Mechanism Screws and Washers (5/16"*1")	12	2	Arm screw caps
3	1	Seat Post	9	4	Back attachment Screws and Washers (5/16"*1-1/4")	13	1	Allen Wrench (5mm)
4	1	Seat Post Cover						
5	1	Mechanism	10	2	Armrest			
6	1	Seat						

STEP 1.



STEP 2.



NOTICE:

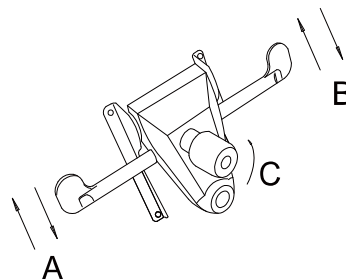
(A) ATTACH ARM TO BACK, BUT DO NOT FULLY TIGHTEN SCREWS.
(B) ATTACH ARMS UNDER SEAT AND THEN FULLY TIGHTEN ALL SCREWS.

STEP 3.



NOTICE:

EVERY 6 MONTHS, PLEASE MAKE SURE ALL BOLTS, SCREWS AND KNOBS ARE FULLY TIGHTENED TO ENSURE STABILITY.



MECHANISM OPERATION INSTRUCTION

WHILE SEATED:

- (A) SEAT HEIGHT ADJUSTMENT:
Pull lever up. Release lever when desired position is reached
- (B) BACK TILT ADJUSTMENT:
Pull lever out horizontally. Move backrest to tilt. To lock in upright position, push lever in.
- (C) TILT TENSION ADJUSTMENT KNOB:
Rotate knob clockwise/counterclockwise to adjust tilt tension based on body weight.

PREVENTIVE MAINTENANCE AND WARNING!

- USE THIS PRODUCT ONLY FOR SEATING ONE PERSON AT A TIME.
- DO NOT USE THIS CHAIR AS A STEP STOOL/LADDER.
- DO NOT SIT ON ANY PART OF THE CHAIR EXCEPT THE SEAT.
- DO NOT USE CHAIR ON UNEVEN FLOOR SURFACES.
- DO NOT USE CHAIR UNLESS ALL BOLTS, SCREWS AND KNOBS ARE TIGHT.
- AT LEAST EVERY SIX MONTHS, CHECK ALL BOLTS, SCREWS AND KNOBS TO BE SURE THEY ARE TIGHT.
- IF ANY PARTS ARE MISSING, BROKEN, DAMAGED OR WORN, STOP USE OF THE PRODUCT UNTIL REPAIRS ARE MADE USING FACTORY AUTHORIZED PARTS.
- DISPOSE OF PACKAGING PROPERLY, PLASTIC BAG IS NOT A TOY. DO NOT USE PLASTIC BAG AS HEAD COVERING-IT MAY CAUSE SUFFOCATION.
- FAILURE TO FOLLOW THESE WARNINGS COULD RESULT IN SERIOUS INJURY.